

4

3

2

1

Table

FILTER TYPE	3-13	3-14	3-15	3-16	3-17
REPLACEMENT ELEMENT	3(GRADE)-13	3(GRADE)-14	3(GRADE)-15	3(GRADE)-16	3(GRADE)-17
NOMINAL FLOW	584 (993)	775 (1317)	1030 (1750)	1200 (2039)	1500 (2549)
IN/OUT CONN. NPT (BSPT)	2 1/2	2 1/2	2 1/2	3	3
"A" IN. (mm)	9.09 (230.8)	9.09 (230.8)	9.09 (230.8)	9.09 (230.8)	9.09 (230.8)
"B" IN. (mm)	24.98 (634.4)	24.98 (634.4)	32.17 (817.1)	32.17 (817.1)	42.72 (1085)
"C" IN. (mm)	21.65 (550)	21.65 (550)	28.85 (732.7)	28.85 (732.7)	39.40 (1000.7)
"D" IN. (mm)	8 (204)	8 (204)	8 (204)	8 (204)	8 (204)
WEIGHT lb. (kg.)	18.6 (8.4)	18.6 (8.4)	27.7 (12.6)	27.7 (12.6)	41.3 (18.7)
MWP psig. (bar)	250 (17.3)	250 (17.3)	250 (17.3)	250 (17.3)	250 (17.3)
MOT F (C)	150 (66)	150 (66)	150 (66)	150 (66)	150 (66)
HEAD MATERIAL	ALUMINUM	ALUMINUM	ALUMINUM	ALUMINUM	ALUMINUM
BOWL MATERIAL	ALUMINUM	ALUMINUM	ALUMINUM	ALUMINUM	ALUMINUM

CONFIDENTIAL PROPRIETARY INFORMATION
Not to be disclosed or reproduced without written permission from SPX Flow Technology

B

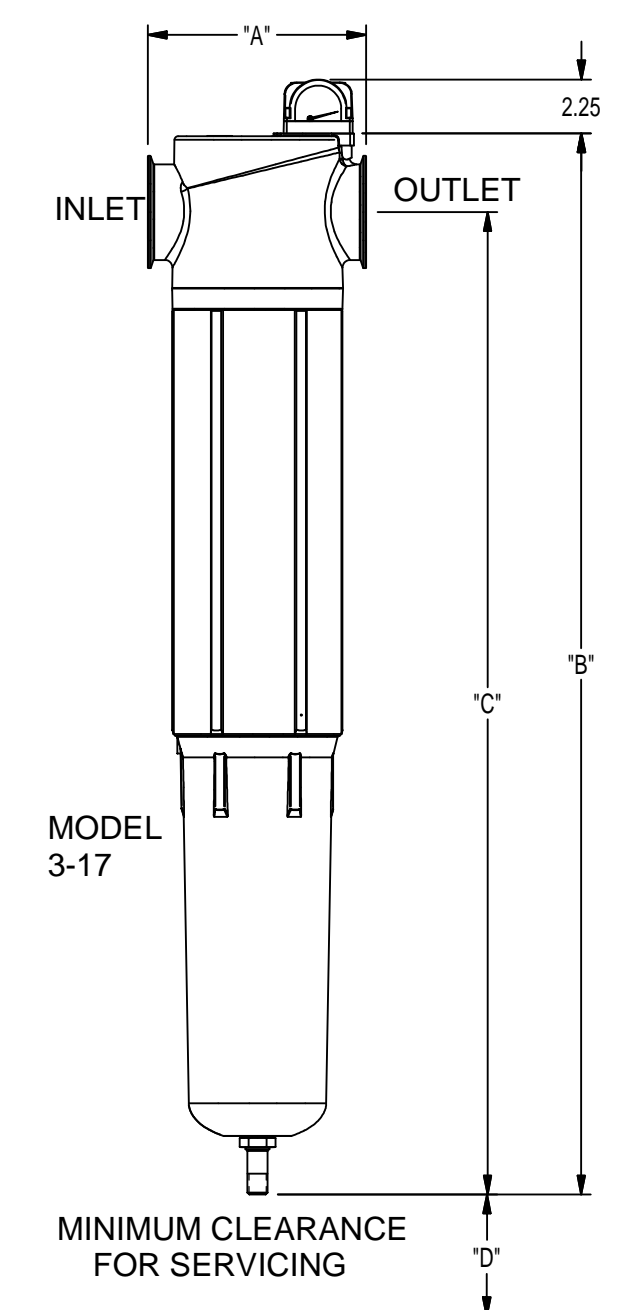
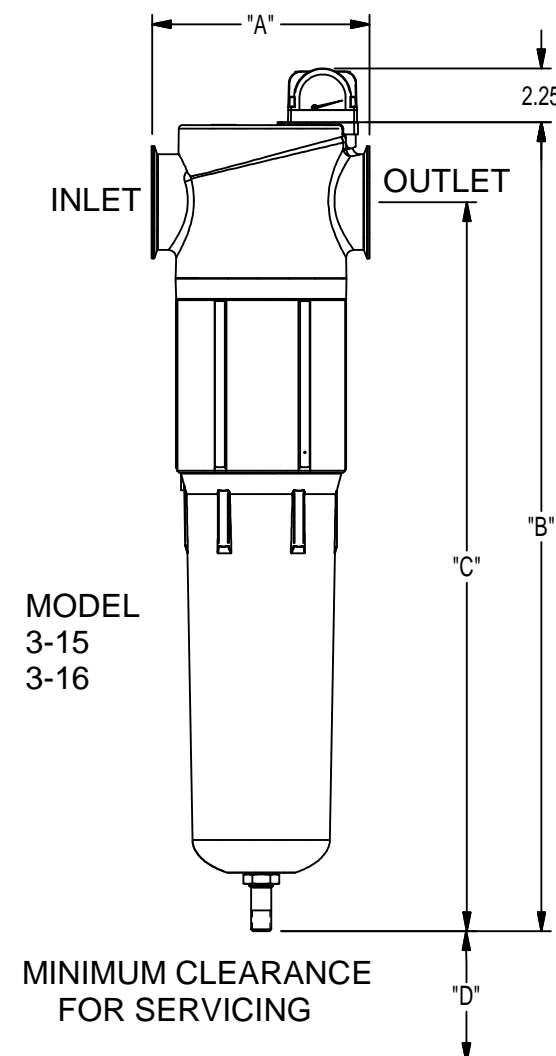
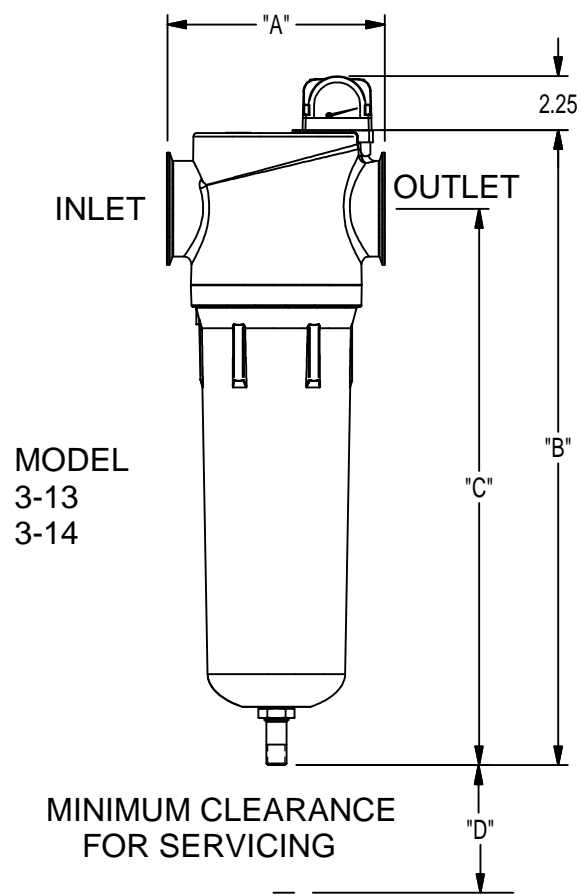
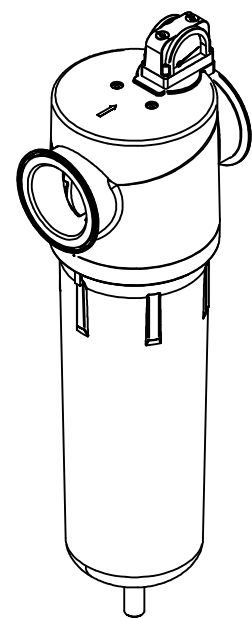
B

A

A

A

A



- NOTES:
1. MWP - MAXIMUM WORKING PRESSURE
2. MOT - MAXIMUM OPERATING TEMPERATURE
3. FILTER ASSEMBLY WITH DP GAUGE. EXTERNAL AUTOMATIC FLOAT DRAIN NOT SHOWN.

					UNLESS OTHERWISE SPECIFIED DIMENSIONS ARE IN INCHES TOL. ON FRACTIONS: ± TOL. ON DECIMALS: ± (2 PLACE) TOL. ON DECIMALS: ± (3 PLACE) TOL. ON ANGLES: ±	DRAWN BY: JWB DATE: 6/3/2010			
B	ECF-160108-JWB-01	JWB	1/8/2016	JWB	CHECKED BY: JWB DATE: 6/3/2010	TITLE DELTECH GENERAL ARRANGEMENT 3-13 3-14 3-15 3-16 3-17			
A	ECF-110329-JWB-02	JWB	3/30/2011	JWB			SIZE B	DWG. NO. GA23DEL-0005	REV. B
REV.	DESCRIPTION	BY	DATE	APPROVED	THIRD ANGLE PROJECTION	APPROVED BY: JWB DATE: 6/3/2010	SCALE: NONE	EST. WT.:	SHEET 1 OF 1
REVISION HISTORY (▲ INDICATES LATEST REVISION)									